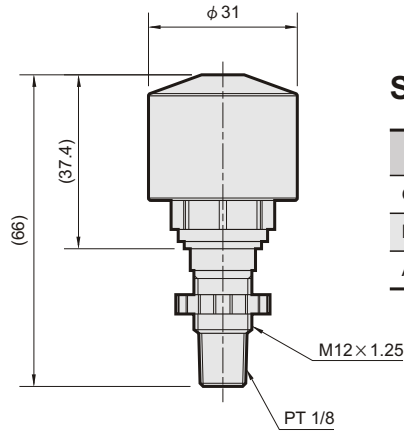


# MADV300 / FMRF300 series

AUTO DRAIN VALVES



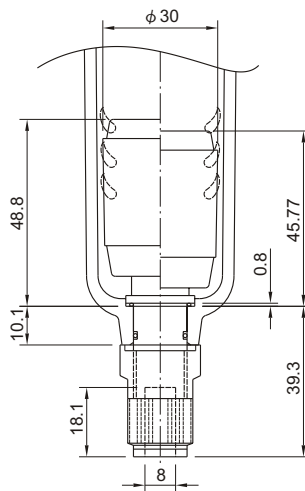
### Specification:

Model	MADV300
Operating pressure range	0~9.9 kgf/cm <sup>2</sup> (0~0.99 MPa)
Proof pressure	15 kgf/cm <sup>2</sup> (1.5 MPa)
Ambient temperature	-5~+60°C (No freezing)

Order example:

**MADV300**

MODEL  
for MA\*\*300



### Specification:

Model	FMRF300
Operating pressure range	1.5~9.9 kgf/cm <sup>2</sup> (0.15~0.99 MPa)
Proof pressure	15 kgf/cm <sup>2</sup> (1.5 MPa)
Ambient temperature	-5~+60°C (No freezing)

Order example:

**FMRF300 — AD — U**

※for Air Unit  
MA\*\*300series  
MA\*\*400series  
MA\*\*401series  
Ordered with filter together